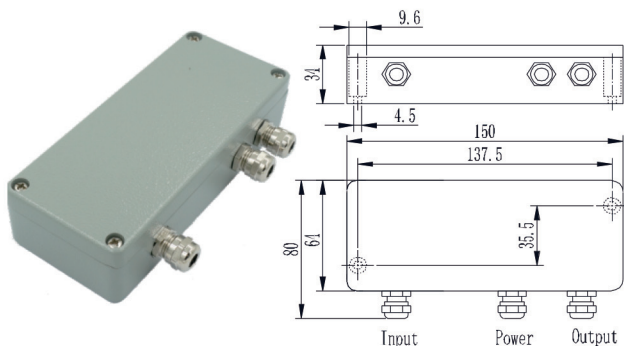


T098H



◆ 特点与用途/Features & Applications

- 集合多种输出信号 $\pm 10V$, $4 \sim 20mA$, $0 \sim 20mA$
- 电源与信号隔离, 抗干扰能力强
- 高精度, 经筛选的精密运放、精密电阻
- 多级有源滤波处理, 输出信号稳定准确
- 适应多种灵敏度传感器, 零点可调范围宽
- Multi-output $\pm 10V$, $4 \sim 20mA$, $0 \sim 20mA$
- The power is isolated from signal, strong anti-interference ability.
- High accuracy, high precision amplifying and resistance
- Stable and accurate output with multi-grades active filter.
- Could be connected with multi-capacity load cells with wide scope of zero point adjustment

◆ 参数 Specifications 技术指标/Technique

输出规格	Output specification	$\pm 10V$ 、 $4 \sim 20mA$ 、 $0 \sim 20mA$
输出线性	Output linear	优于 better than 0.01%
综合精度	Comprehensive accuracy	优于 better than 0.01%
分别率	Co.of temperature	65000分度
温度系数	Input load	$\pm 25ppm/^{\circ}C$
输入负载	Nominal range of excitation voltage	1~4只传感器 cells
激励电压	Nominal range of excitation voltage	10VDC
输出负载	Output load	电压负载 $\geq 2K\Omega$
电源供给	Power supply	16~32VDC
整机功耗	Power waste	$\leq 3W$
工作温度范围	Operating temperature range	$-20 \sim 60^{\circ}C$
单间重量	Weight approx	0.45kg
材料	Material	Aluminum Alloy (铝合金)
防护等级	IP Class	IP66